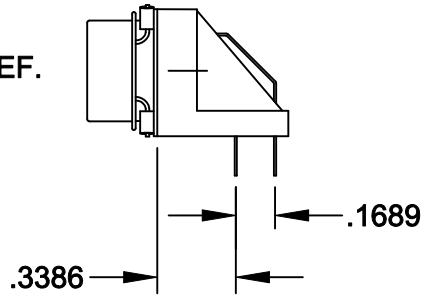
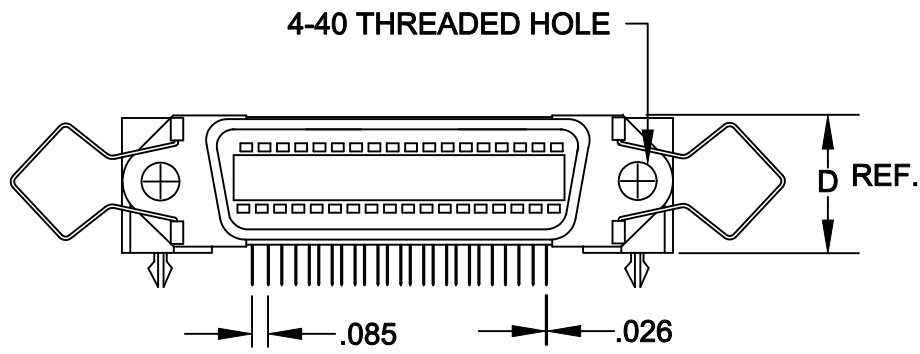
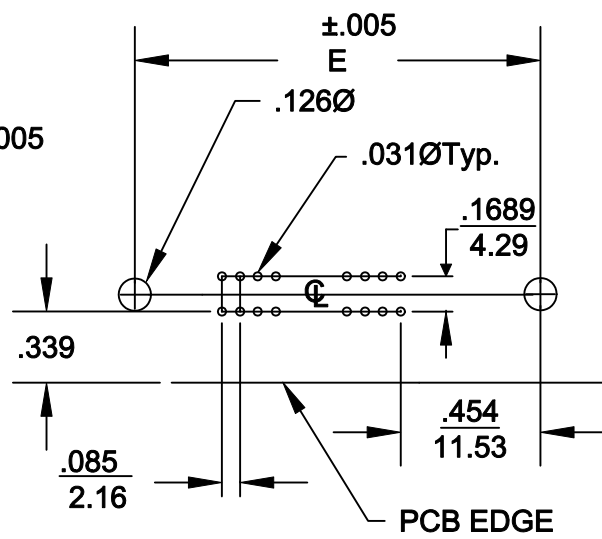
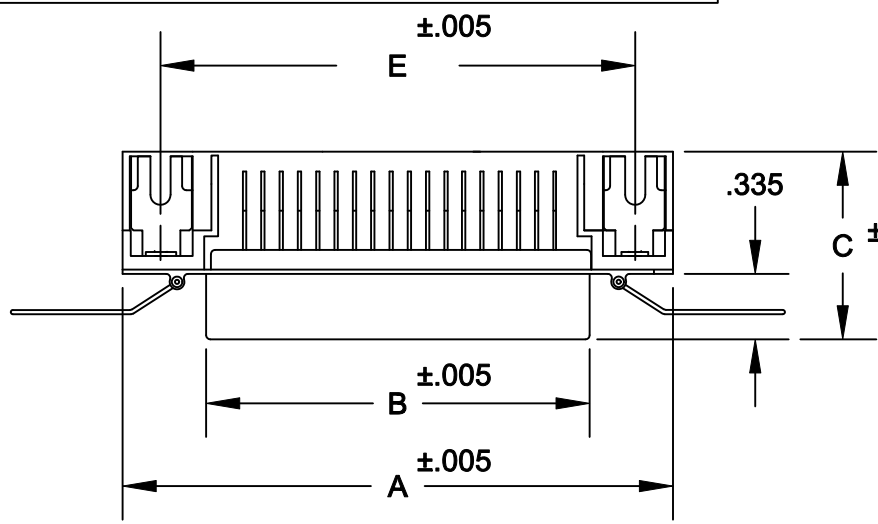


DESCRIPTION: .085" RIBBON FEMALE R/A BOARD MOUNT



	A	B	C	D	E
14	1.721	1.992	.969	.610	1.417
	43.70	25.20	24.60	15.50	35.99
24	2.146	1.417	.969	.610	1.842
	54.50	36.00	24.60	15.50	46.79
36	2.662	1.925	.969	.610	2.352
	67.60	48.90	24.60	15.50	59.74
50	3.260	2.520	.969	.610	2.947
	82.80	64.00	24.60	15.50	74.85

112-YYY-213R491

SERIES \_\_\_\_\_

POSITIONS \_\_\_\_\_

014  
024  
036  
050

GENDER \_\_\_\_\_

2 = FEMALE

TERMINATION \_\_\_\_\_

1 = DIP SOLDER

SHELL PLATING \_\_\_\_\_

3 = NICKEL

HARDWARE OPTIONS \_\_\_\_\_

49 = BOARD LOCKS

PLATING OPTIONS \_\_\_\_\_

01 = GOLD FLASH

**MATERIALS:**

INSULATOR: PA9T, UL94V-0, BLUE  
260°C PROCESS TEMP.

CONTACTS: COPPER ALLOY

CONTACT PLATING: GOLD FLASH IN THE MATING AREA  
MATTE TIN IN THE SOLDER AREA

SHELL: STEEL, NICKEL PLATED

BOARDLOCK: STEEL, NICKEL PLATED

CONTACT INSERTION FORCE: 25 Lbs. Max.

CONTACT SEPARATION FORCE: 2 Lbs. Min.

**RoHS COMPLIANT**

**ELECTRICALS:**

CONTACT CURRENT RATING: 1 AMP

DIELECTRIC WITHSTANDING VOLTAGE: 1000 VAC

VOLTAGE: 250 VAC Max.

INSULATION RESISTANCE: 1000 MOhms Min.

CONTACT RESISTANCE: 30 mOHMS Max.

OPERATING TEMPERATURE: -55°C TO +105°C

	THESE DRAWINGS AND SPECIFICATIONS ARE THE PROPERTY OF NorComp AND SHALL NOT BE REPRODUCED, COPIED OR USED AS THE BASIS FOR THE MANUFACTURE OF SALE OF APPARATUS WITHOUT WRITTEN PERMISSION.		DRAWN: WAYNE ROBBINS	DATE: 10-13-05
			CHECKED:	DATE:
<h1>NorComp</h1>		SCALE: 1:1	SHEET 1 OF 1	REV 5
		DWG NO. 112-YYY-213R491		